



Thunder
TD2

UNIPRESS



Impeccable Finish

The Thunder TD 2 applies an impeccable finish to the body of the shirt without compromise. Even large shirts (up to size 20) can be easily processed without special handling. It is designed and built to produce a quality shirt day after day for years to come.

Contoured Chests: The chests are contoured in the yoke area for pressing the shoulders and are full length to completely press the front and back of the shirt. Arm cut outs for the sleeves eliminates over pressing especially under the arm.

Formed Vacuum Buck: The vacuum bucks are specially designed to facilitate loading and unloading. Featuring a spring loaded buck plate that automatically pulls down the back of the shirt. This increases production, improves quality and makes it easy to train operators. The buck cap is slotted to shape and finish the yoke area.

Side Air Bags: The air bags are designed to accept full cut as well as tapered shirts. Super heated air is used to finish the sides eliminating rough dry.

Foot Operated Collar Clamp: Frees the operator's hands to set the collar and dress the shoulders.

Fast Smooth Transfer: The bucks are mounted on two separate parallel arms and each is driven by dual acting pneumatic cylinders. The cylinders index the bucks into the pressing position. This system employs few moving parts minimizing maintenance.

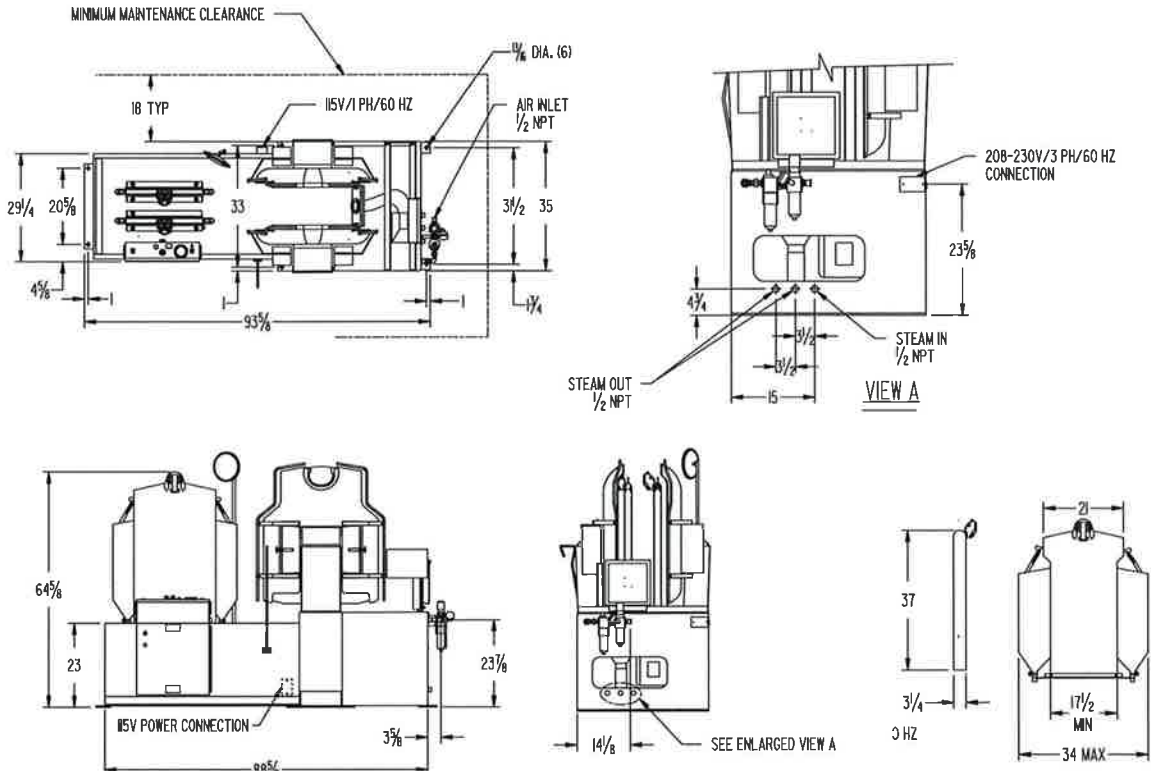


Flawless Design

High Pressure Squeeze: The contoured chests are mounted on rocker arms and closed by an air actuator system. This system is designed to close the heads quickly while applying high pressure evenly across the chests imparting a flawless finish.

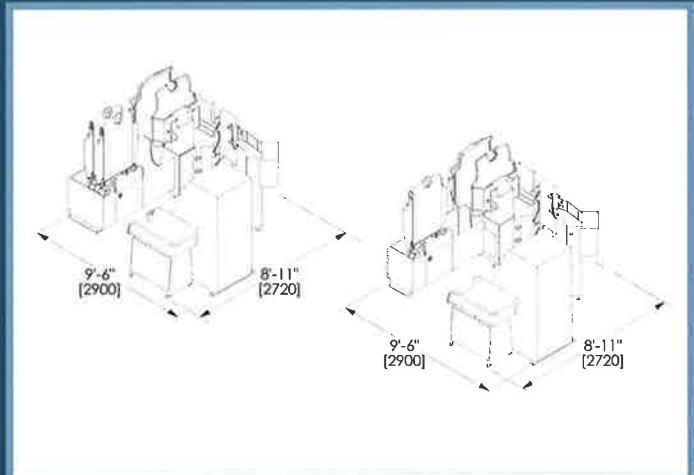
Open Design: The open design of the Thunder features centrally located air valves and microprocessor controls with self diagnostics. The unit also features a scheduled maintenance indicator light.

Technical Data Thunder TD2

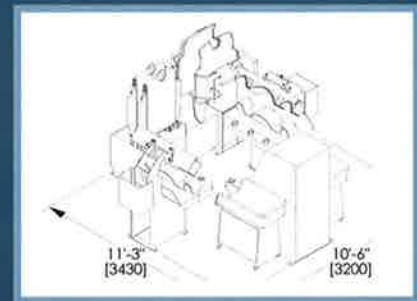


Specifications

THUNDER	TS1	TD2
Overall Height	64 5/8"	64 5/8"
Overall Length	93 5/8"	93 5/8"
Overall Width	35"	35"
Steam Inlet (1)	1/2" NPT	1/2" NPT
Steam Outlet	1/2" NPT (2)	1/2" NPT (2)
Steam Supply	100-125 PSI	100-125 PSI
Boiler Horsepower	1.5 BHP	2 BHP
Air Inlet	1/2" NPT	1/2" NPT
Air Supply	85 PSI	85 PSI
Air Consumption/cycle	3.6 Cubic Feet/Cycle	3.6 Cubic Feet/Cycle
Electrical Press	115/1/60	115/1/60
Electrical Blowers	208/230/3/60	208/230/3/60
Amperage Press	1 AMP @ 115 volt	1 AMP @ 115 volt
Amperage Blowers	11 AMP @ 230 volt	11 AMP @ 230 volt
Net Weight	2100 lbs	2400 lbs



Also Available Single Buck



3501 Queen Palm Drive, Tampa FL 33619

813.623.3731 UnipressCorp.com

