

# UNIPRESS

## Puff Irons

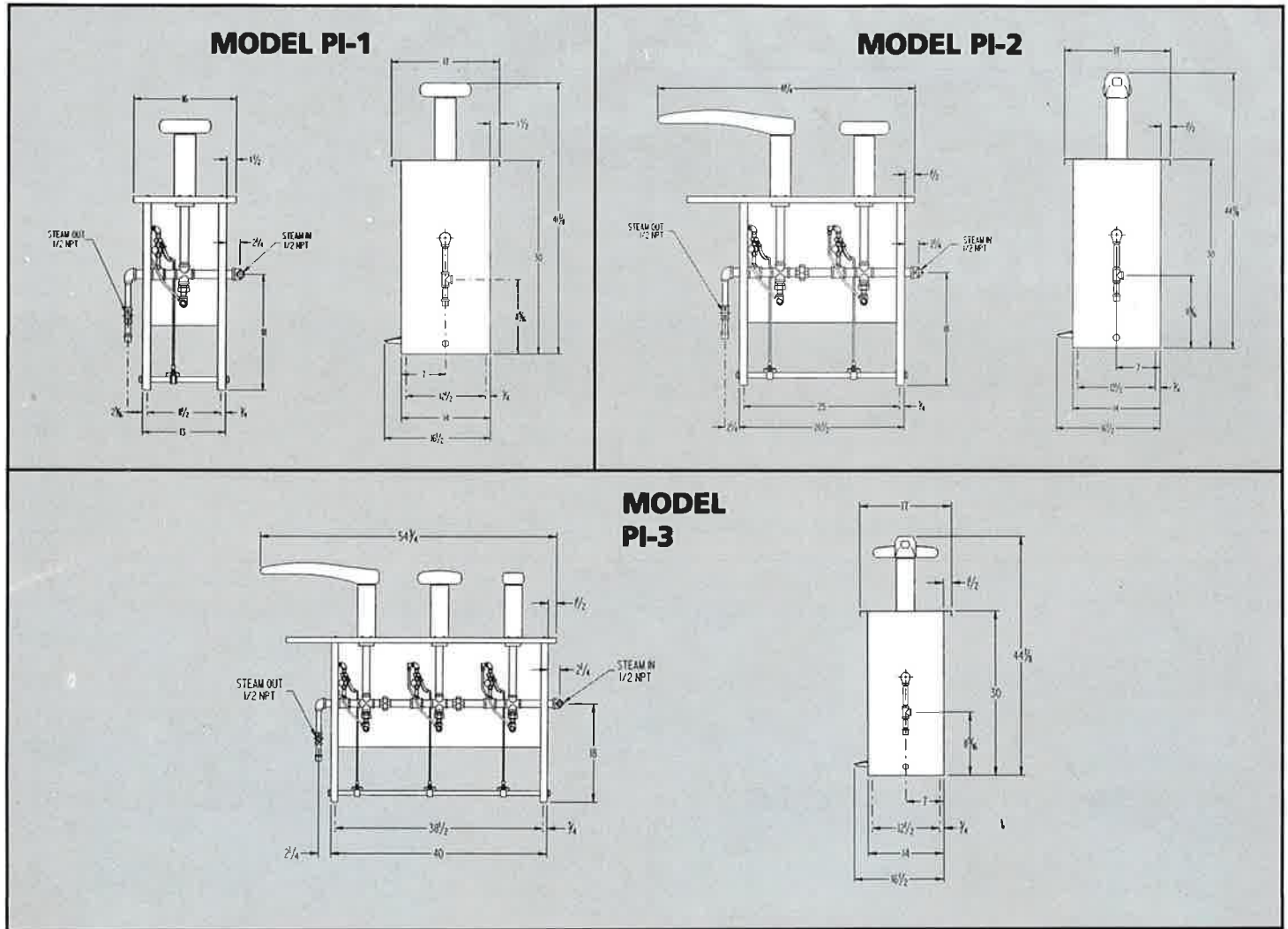


- *Designed and manufactured in U.S.A.*
- *Minimum floor space is required.*

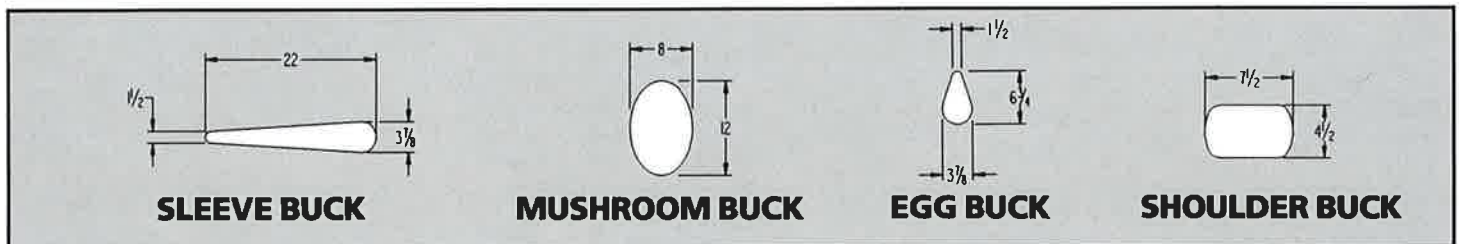
- *Durable construction.*
- *High quality valves.*
- *Available with vacuum and cloth heads.*

**MODELS PI-1, PI-2, PI-3 HV**

# PUFF IRON SERIES TECHNICAL DATA



## BUCK DIMENSIONS



## SPECIFICATIONS

	PI-1	PI-2	PI-3
Height of buck - padded	41 7/8"	44 7/8"	44 7/8"
Length of buck - unpadded	7 1/2"	N/A	N/A
Width of buck - unpadded	4 1/2"	N/A	N/A
Width of machine	16"	41 1/4"	54 3/4"
Depth of machine	17"	17"	17"
Steam inlet (1)	1/2"	1/2"	1/2"
Steam outlet (1)	1/2"	1/2"	1/2"
Vacuum outlet	N/A	N/A	N/A
Boiler horsepower rating	1/8"	1/4"	3/8"
Net weight	125 Lbs.	150 Lbs.	235 Lbs.



Unipress reserves the right to alter or vary the specifications contained in this leaflet without notice. Drawings not to scale.

# UNIPRESS

3501 Queen Palm Drive Tampa, Florida 33619

Telephone (813) 623-3731 FAX (813) 626-2565

www.unipresscorp.com