

UNIPRESS

COTTON PANTS STATION



MODEL 46XH

The perfect combination to improve your quality and increase your production. These presses are specifically designed to help you conquer the challenges of a changing market. The 46XH and 19MXH feature highly polished, nickel plated heads. The open chamber design of the head facilitates an even heat transfer across the head. Thus, providing the temperatures necessary to quickly finish cotton pants. The 46XH features an automatic cycle that allows the operator to top while the legs are being finished. Both units are built to Unipress' exacting standards. Each press is equipped with microprocessor controls and has self-diagnostic capabilities. The microprocessor

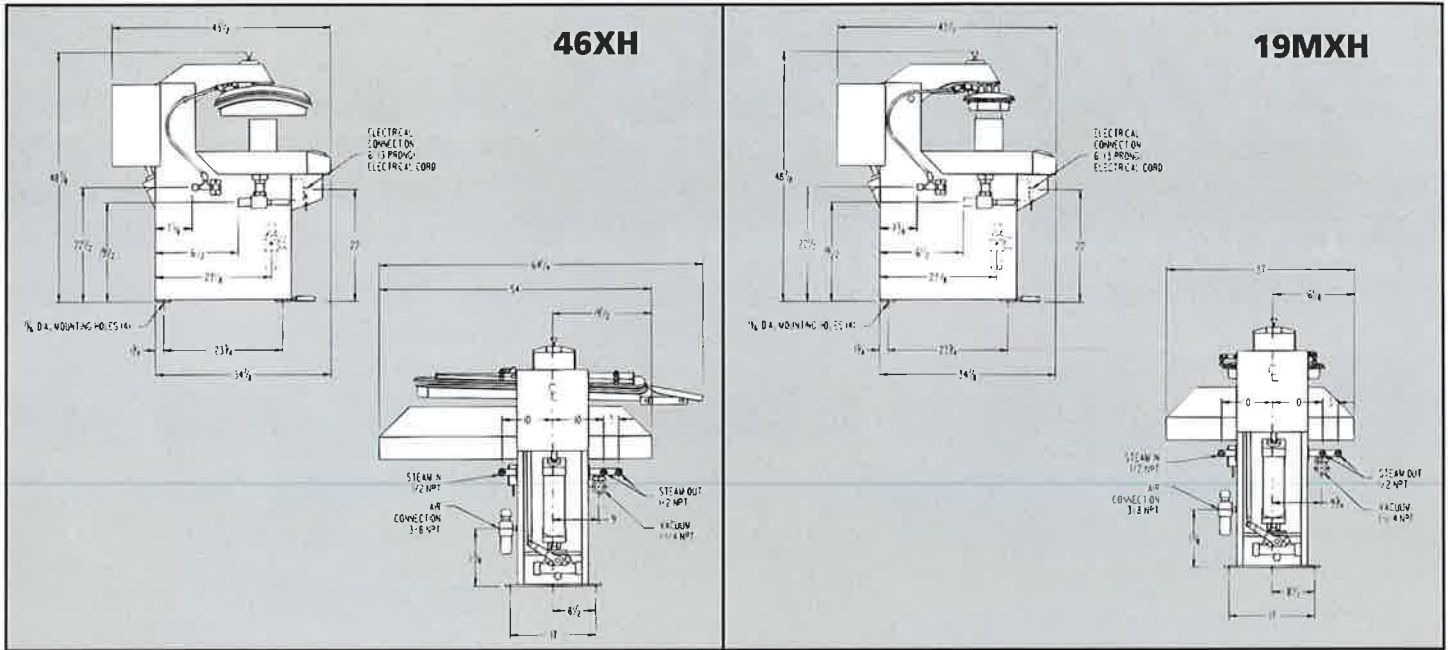


MODEL 19MXH

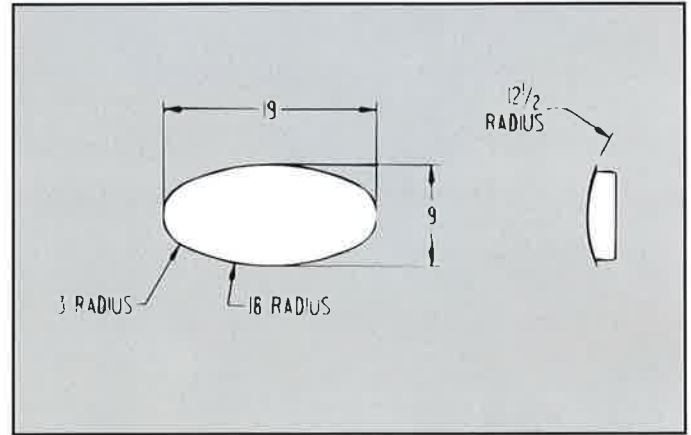
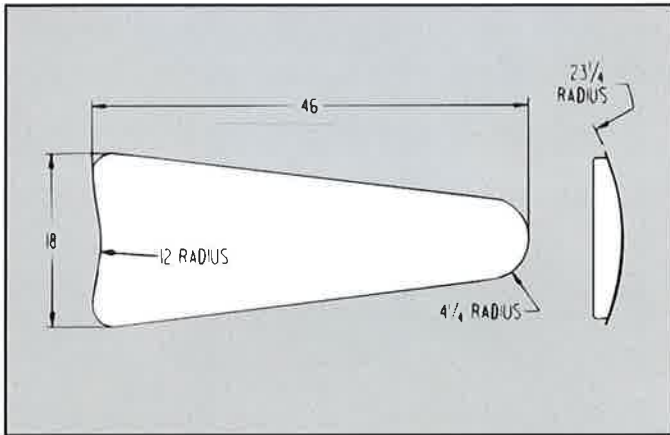
assures reliability and ease of trouble shooting. The fast smooth opening and closing of the head are enough to make any presser smile.

- WIDE HEAD OPENING
- FINGER TIP PRESSURE ADJUSTMENT
- QUIET OPERATION
- SINGLE ACTION CYLINDER
- DURABLE CONSTRUCTION
- DESIGNED AND MANUFACTURED IN USA
- HEAVY DUTY STEEL FRAME CONSTRUCTION

COTTON PANTS STATION TECHNICAL DATA

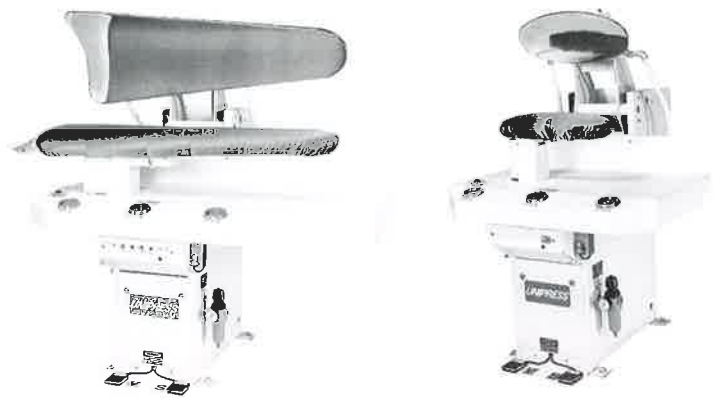


BUCK DIMENSIONS



SPECIFICATIONS

	46XH	19MXH
Height of buck - padded	40-1/2"	40-1/2"
Length of buck - unpadded	46"	19"
Width of buck - unpadded	18"	9"
Width of machine	64-1/4"	37"
Depth of machine	43-1/2"	43-1/2"
Steam inlet	1/2" NPT	1/2" NPT
Steam outlet (2)	1/2" NPT	1/2" NPT
Vacuum outlet	1-1/4" NPT	1-1/4" NPT
Air inlet	3/8" NPT	3/8" NPT
Air Supply	85 PSI	85 PSI
Air consumption/cycle	1/2 Cu. Ft.	1/2 Cu. Ft.
Boiler horsepower rating	1 HP	1 HP
Net weight	825 lbs.	675 lbs.
Electrical	115/1/60	115/1/60
Amperage	1/2 AMP	1/2 AMP



Unipress reserves the right to alter or vary the specifications contained in this leaflet without notice. Drawings not to scale.

UNIPRESS

3501 Queen Palm Drive Tampa, Florida 33619

Telephone (813) 623-3731 FAX (813) 626-2565

www.unipresscorp.com