

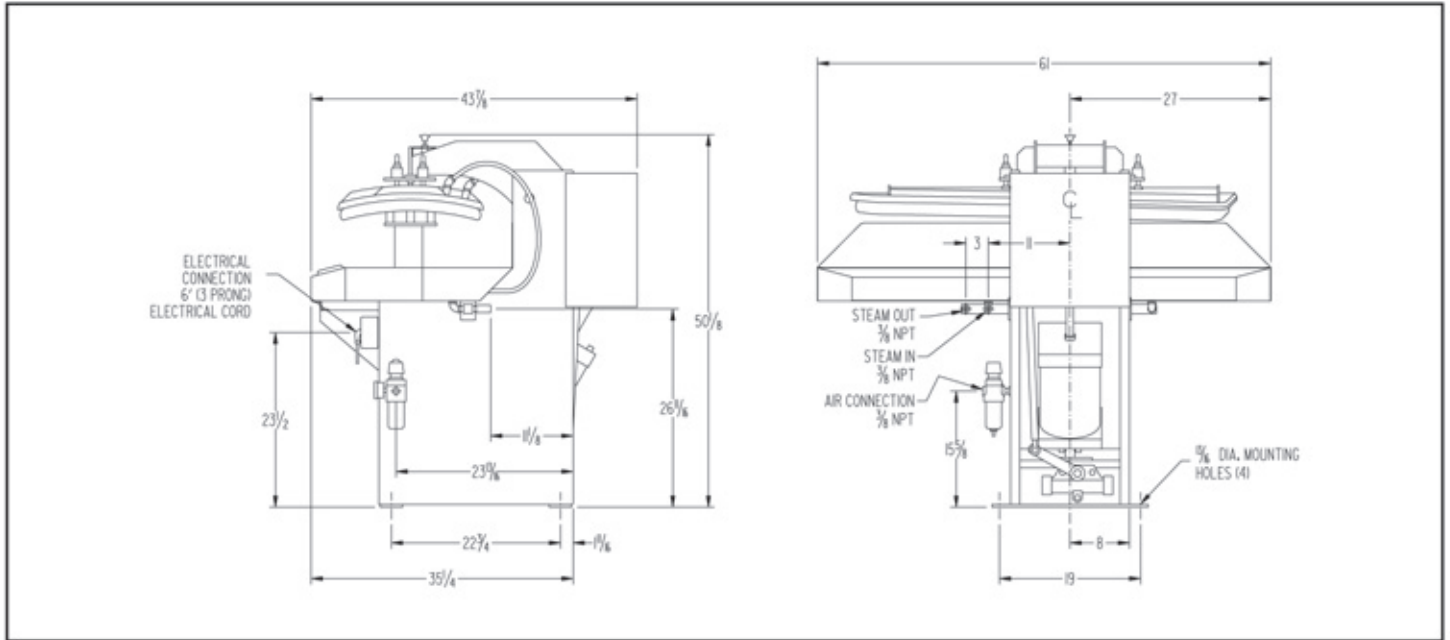
# ***UNIPRESS***

## **WAZ WEARING APPAREL PRESS**

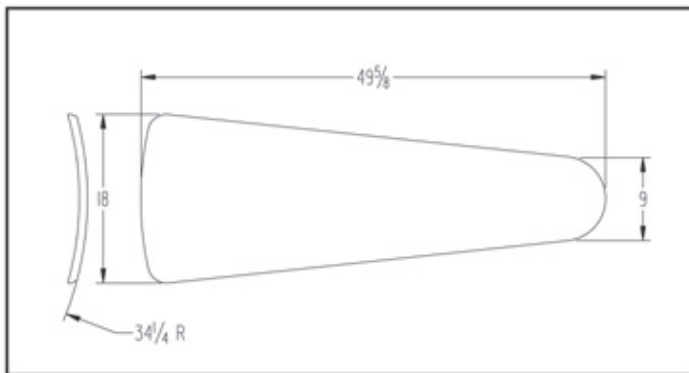


- *Smooth Operation*
- *Highly Polished Plated Head*
- *Microprocessor Controls with Self Diagnostics*
- *High Pressure Squeeze Cylinder*
- *Designed and Manufactured in USA*
- *Rugged Construction*
- *Two Hand Safety Controls*

# WAZ TECHNICAL DATA



## BUCK DIMENSIONS



### Model WAZ

Uniforms, Coats, Dresses, Smocks, Jeans and Tubular Garments.



## SPECIFICATIONS

TYPE	WAZ
Overall Height	50 1/8"
Overall Length	43 7/8"
Overall Width	61"
Steam Inlet (1)	3/8" NPT
Steam Outlet (2)	3/8" NPT
Steam Supply	100-125 PSI
Boiler Horsepower	3/4
Air Inlet	3/8" NPT
Air Supply	85 PSI
Air Consumption/Cycle	1 3/4 CU. FT.
Electrical	115/1/60
Amperage	1/2 Amps
Net Weight	1,050 lbs.

Unipress reserves the right to alter or vary the specifications contained in this leaflet without notice. Drawings not to scale.

# UNIPRESS

3501 Queen Palm Drive Tampa, Florida 33619  
 Telephone (813) 623-3731 FAX (813) 626-2565  
[www.unipresscorp.com](http://www.unipresscorp.com)