

VERSAFORM PLUS



The **VERSAFORM PLUS** handles the widest range of garments possible.

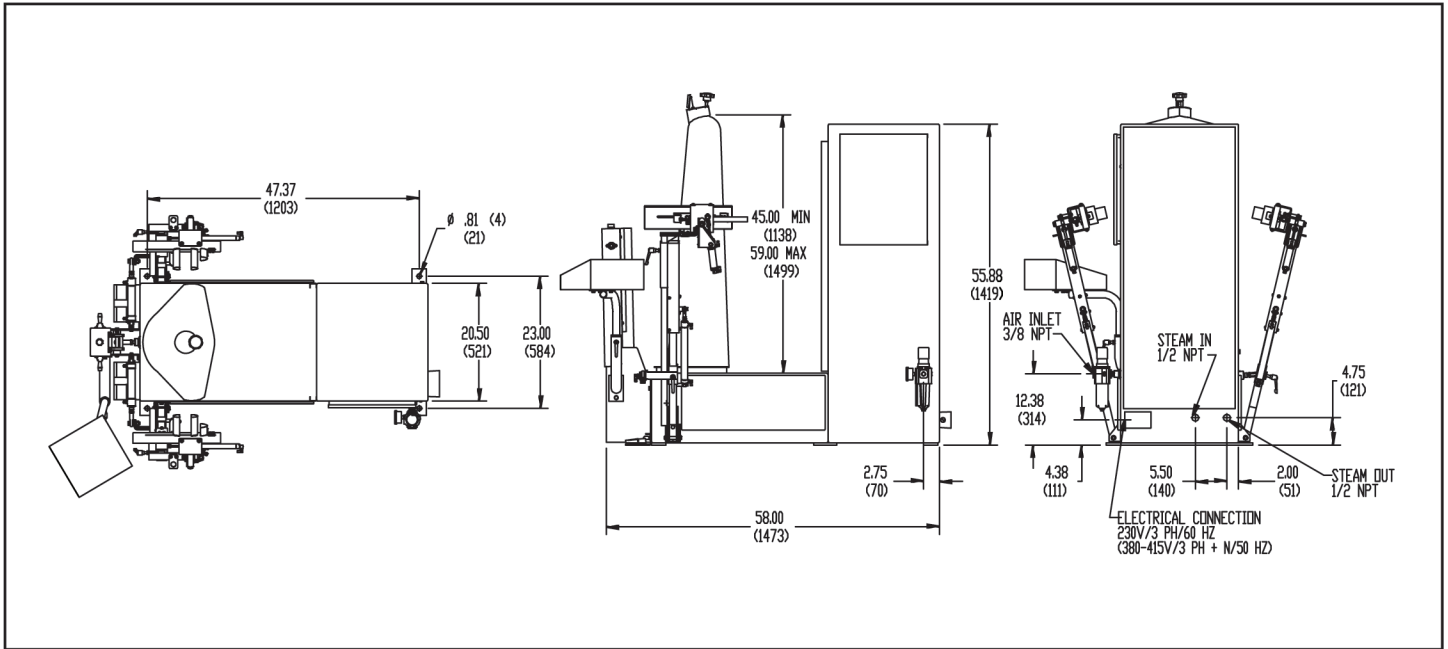
Ladies Blouses (size 2)
Sport Coats
Lab Coats
Microfibers

Men's Shirts (up to size 20)
Dresses
Linens
Ramie

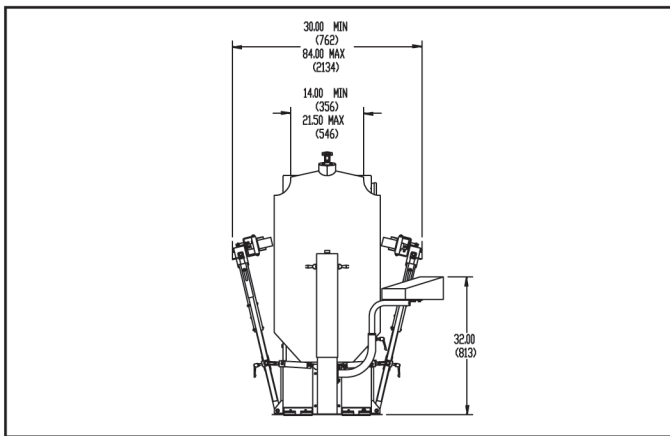
Silks
Pull Overs
Casual Wear
Lycra Blends

UNIPRESS

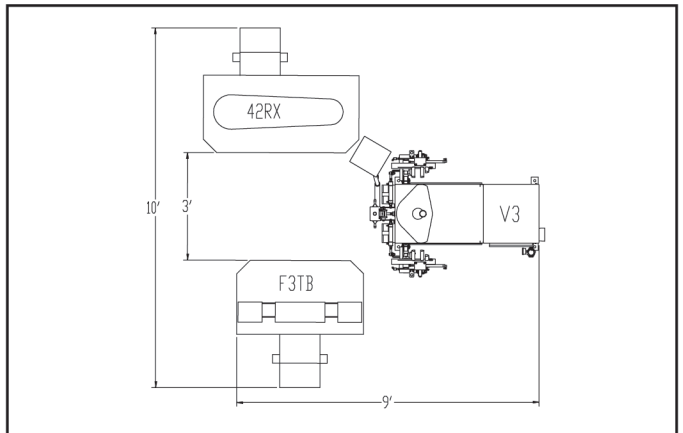
V3 VERSAFORM PLUS TECHNICAL DATA



BUCK DIMENSIONS



LAYOUT



SPECIFICATIONS

| | SAE | Metric |
|-------------------------|-------------------|------------------|
| Overall Height | 56" | 1419mm |
| Overall Length | 58" | 1473mm |
| Overall Width(arms ext) | 84" | 2134mm |
| Steam Inlet (1) | 1/2" NPT | 1/2" NPT |
| Steam Outlet (1) | 1/2" NPT | 1/2" NPT |
| Steam Supply | 85 PSI | 6 BAR |
| Boiler Horsepower | 1-2 BHP | 20-40 KG/H |
| Air Inlet | 3/8" NPT | 3/8" NPT |
| Air Consumption/Cycle | 0.1 CU. FT./Cycle | 2.8 Liters/Cycle |
| Air Supply | 85 PSI | 6 BAR |
| Electrical | 230/3/60 | 380-415/3ph+n/50 |
| Amperage | 7 AMP | 1.6 KW |
| Net Weight | 760 LBS | 760 LBS |

V3 VERSAFORM PLUS FEATURES:

- Microprocessor Controls
- Air Operated Arms
- Automatic Measuring
- Large Capacity Blower
- Multi-Pass Heat Exchanger
- Extra Long Form
- Easy to operate
- Stainless Steel Form
- Air Operated Short Sleeve Clamps
- Interchangeable Front Clamps

UNIPRESS

3501 Queen Palm Drive Tampa, Florida 33619
 Telephone (813) 623-3731 FAX (813) 626-2565
www.unipresscorp.com