

UNIPRESS

TF SERIES TENSIONING FINISHERS



Model TUF

Tensioning Utility Finisher

The Tensioning Finisher Series from Unipress produces top quality garments and are easy to operate. Both the utility form (model TUF) and the pants finisher (model TPF) feature manual or automatic cycles. Nine programable cycles make it simple to process a wide variety of dry cleaned or wet cleaned garments. Each unit automatically applies the correct amount of tension prior to the start of the finishing cycle.



Model TPF-P

Tensioning Pants Finisher

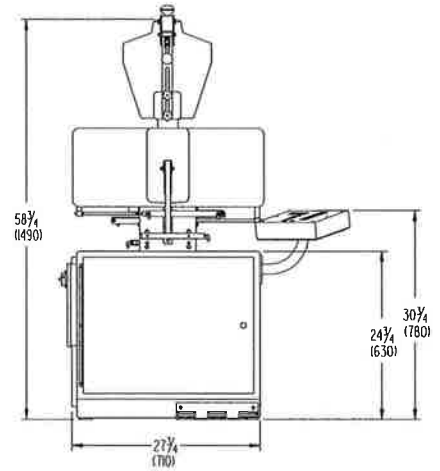
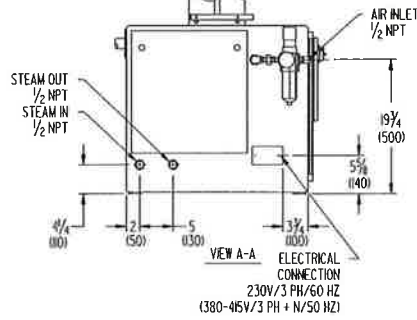
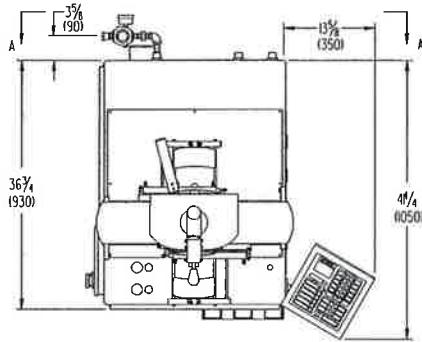
Once the garment is positioned and is taut, the steam and hot air quickly finishes the garment.

The TF Series is designed to be easy to use, minimizing operator training. Even inexperienced personnel can be trained quickly to produce high quality garments.

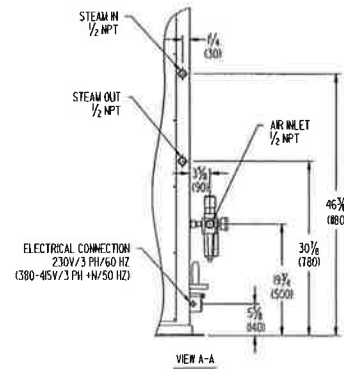
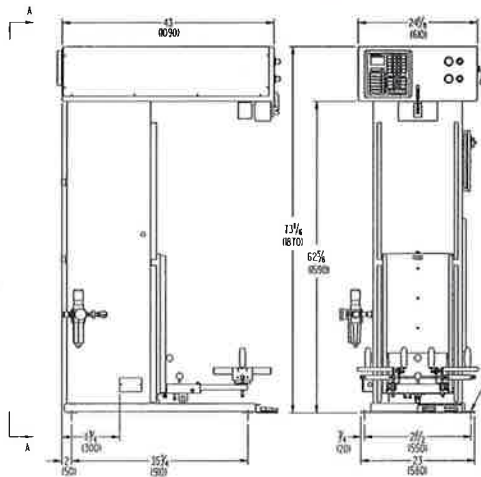
Each unit is equipped with a microprosser featuring self-diagnostics. The TF Series is built to exacting standards to provide years of trouble free service.

TECHNICAL DATA

TUF



TPF-P

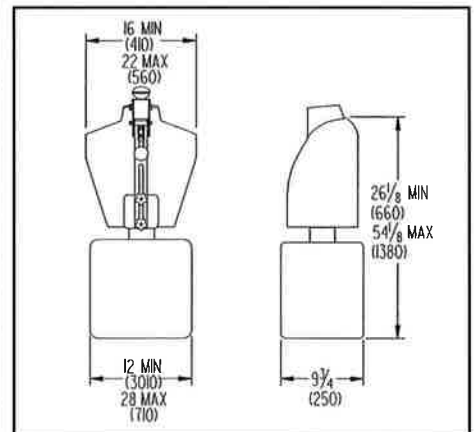


NOTE: DIMENSIONS GENERATED. NO CHANGES TO THE TRADE SHOW RESPONSIBLE.

SPECIFICATIONS

BUCK DIMENSIONS

Model	TUF		TPF-P	
	SAE	Metric	SAE	Metric
Overall Height	58 3/4	1490 mm	73 11/16	1870 mm
Overall Length	41 1/4	1050 mm	43	1090 mm
Overall Width	41 3/8	1060 mm	24 1/8	610 mm
Steam Inlet (1)	1/2 NPT	1/2 NPT	1/2 NPT	1/2 NPT
Steam Outlet (1)	1/2 NPT	1/2 NPT	1/2 NPT	1/2 NPT
Steam Supply	85 psi	6 bar	85 psi	6 bar
Boiler horsepower	2 BHP	20 - 40 kg/h	2 BHP	20 - 40 kg/h
Air Inlet	1/2 NPT	1/2 NPT	1/2 NPT	1/2 NPT
Air Consumption cycle	.1 CuFt/cyc	2.8 liters/cyc	.1 CuFt/cyc	2.8 liters/cyc
Electrical	230/3/60	380/50/3	230/3/60	380/50/3
Amperage	5 amps		5 amps	
Net Weight	466 lbs.	211 kg	467 lbs.	212 kg



UNIPRESS

3501 Queen Palm Drive Tampa, Florida 33619
 Telephone (813) 623-3731 FAX (813) 626-2565

www.unipresscorp.com