

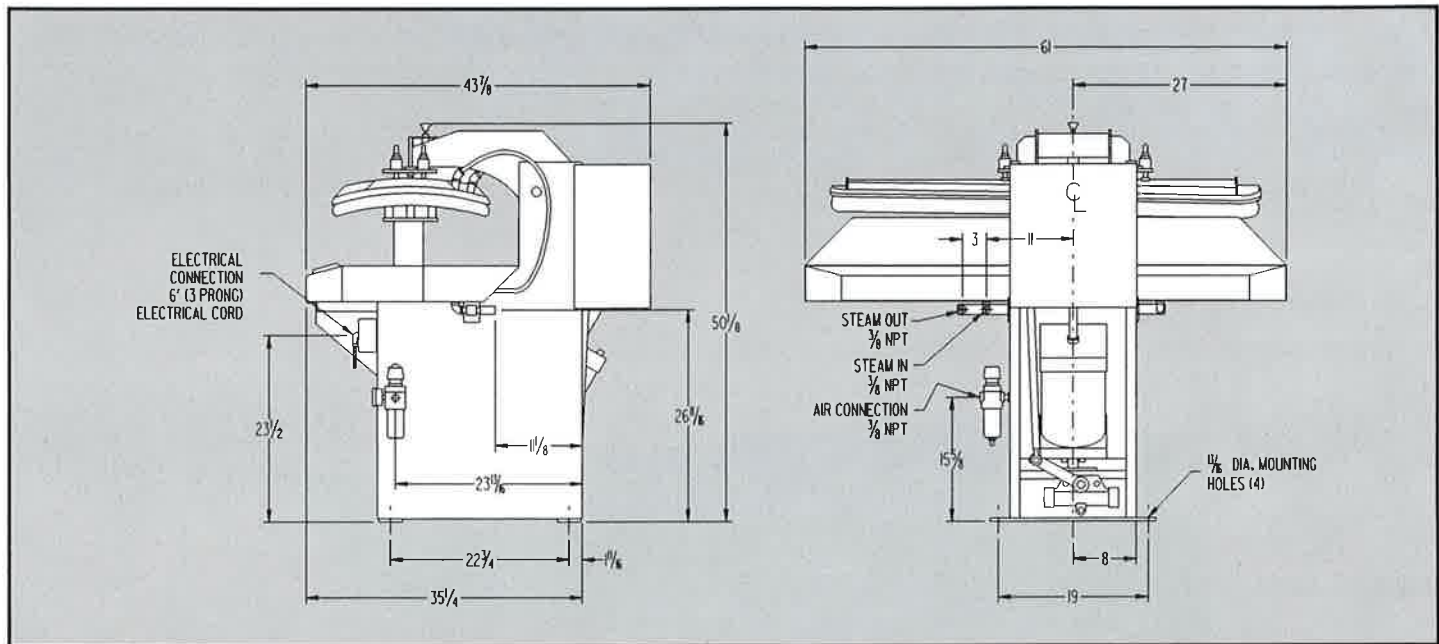
UNIPRESS

SLZ SINGLE LAUNDRY LEGGER

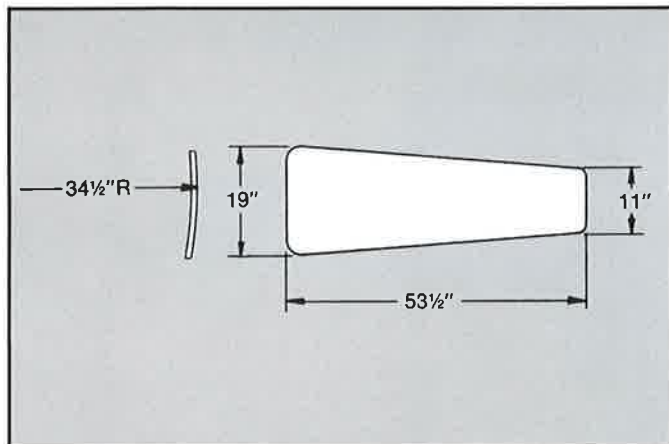


- *Highly Polished Plated Head*
- *Smooth Operation*
- *Microprocessor Controls with Self Diagnostics*
- *High Pressure Squeeze Cylinder*
- *Designed and Manufactured in USA*
- *Rugged Construction*
- *Two Hand Safety Controls*

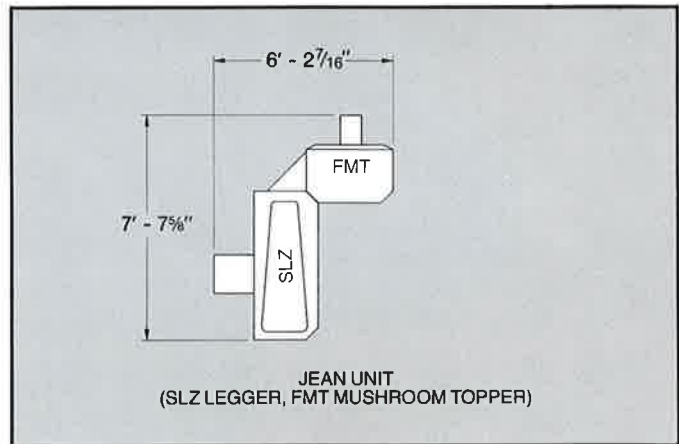
SLZ TECHNICAL DATA



BUCK DIMENSIONS



LAYOUT



SPECIFICATIONS

	SLZ
Overall Height	50 1/8"
Overall Length	43 7/8"
Overall Width	61"
Steam Inlet (1)	3/8" NPT
Steam Outlet (1)	3/8" NPT
Steam Supply	100-125 PSI
Boiler Horsepower	3/4
Air Inlet	3/8" NPT
Air Consumption/Cycle	1 3/4 Cu. Ft.
Air Supply	85 PSI
Electrical	115/1/60
Amperage	1/2 AMP
Net Weight	1,100 Lbs.

Model SLZ

Jeans
Gowns
Uniforms
Smocks



Available in Electric
230/1/60
Model ESLZ

Unipress reserves the right to alter or vary the specifications contained in this leaflet without notice. Drawings not to scale.

UNIPRESS

3501 Queen Palm Drive Tampa, Florida 33619
Telephone (813) 623-3731 FAX (813) 626-2565

www.unipresscorp.com