

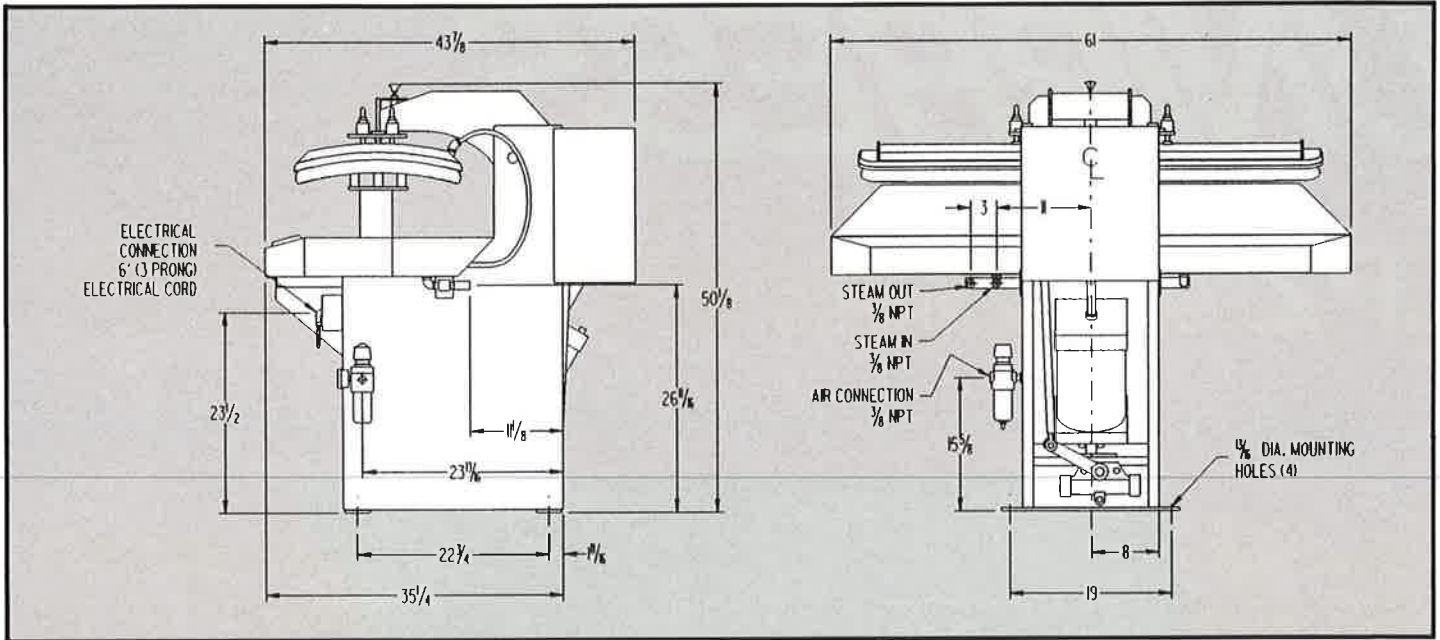
UNIPRESS

LPZ LINEN SUPPLY PRESS

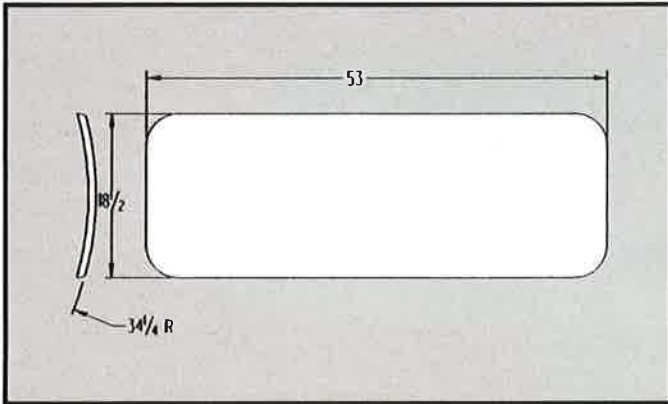


- *Smooth Operation*
- *Highly Polished Plated Head*
- *Solid State Controls with Timer*
- *High Pressure Squeeze Cylinder*
- *Designed and Manufactured in USA*
- *Rugged construction*
- *Two hand safety controls*

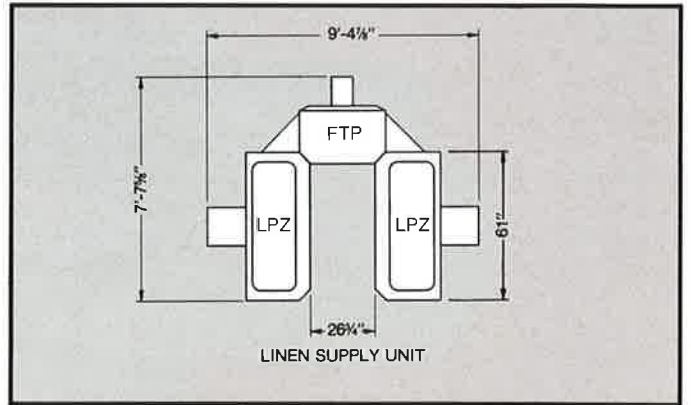
LPZ TECHNICAL DATA



BUCK DIMENSIONS



LAYOUT



SPECIFICATIONS

	LPZ
Overall Height	49 1/4"
Overall Length	43 7/8"
Overall Width	61"
Steam Inlet (1)	3/8" NPT
Steam Outlet (1)	3/8" NPT
Steam Supply	100-125 PSI
Boiler Horsepower Rating	3/4
Air Inlet	3/8" NPT
Air Consumption/Cycle	1 3/4 Cu. Ft.
Air Supply	85 PSI Min.
Electrical	115/1/60
Amperage	1/2 AMP
Net Weight	1,200 Lbs.

Model LPZ Linen Supply Press



Unipress reserves the right to alter or vary the specifications contained in this leaflet without notice. Drawings not to scale.

UNIPRESS

3501 Queen Palm Drive Tampa, Florida 33619
Telephone (813) 623-3731 FAX (813) 626-2565