

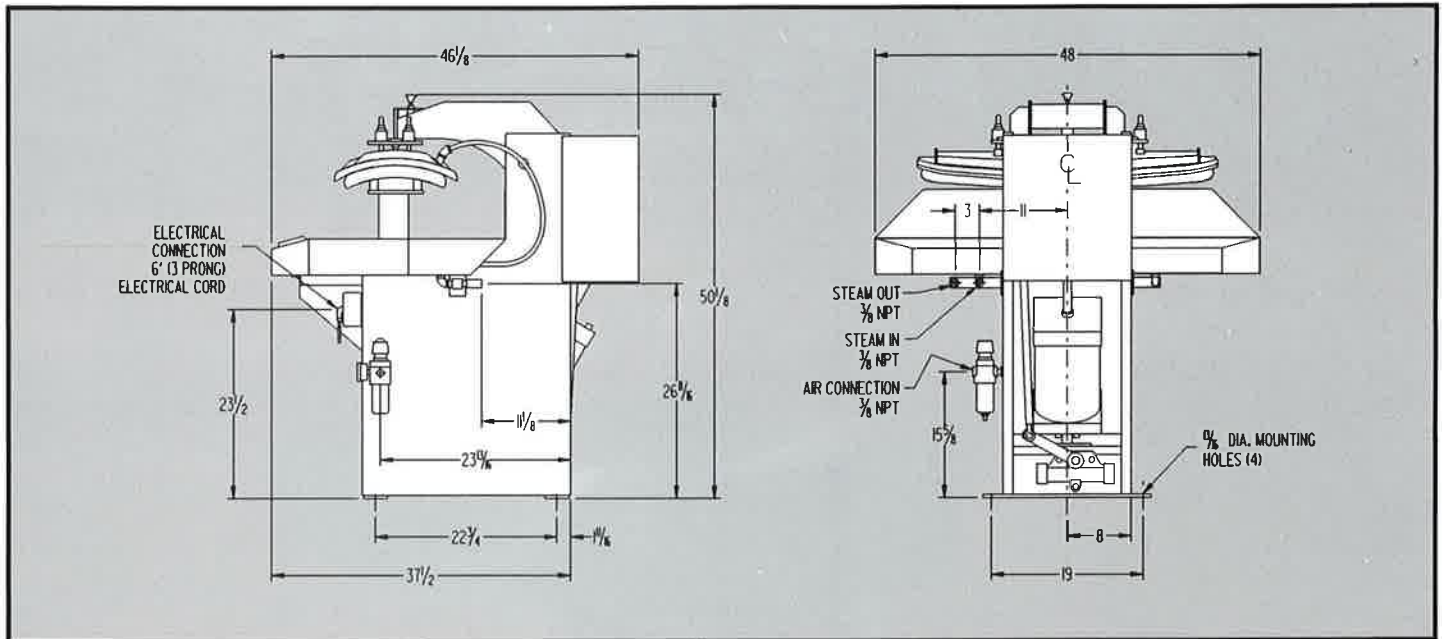
UNIPRESS

DTZ DOUBLE PANTS TOPPER

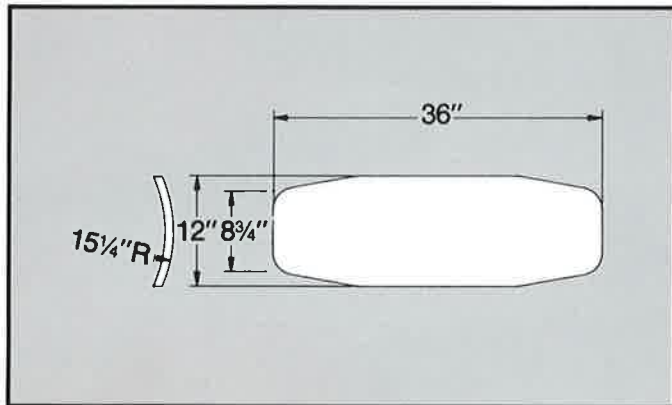


- *Smooth Operation*
- *Highly Polished Plated Head*
- *Microprocessor Controls with Self Diagnostics*
- *High Pressure Squeeze Cylinder*
- *Designed and Manufactured in USA*
- *Rugged Construction*
- *Two Hand Safety Controls*

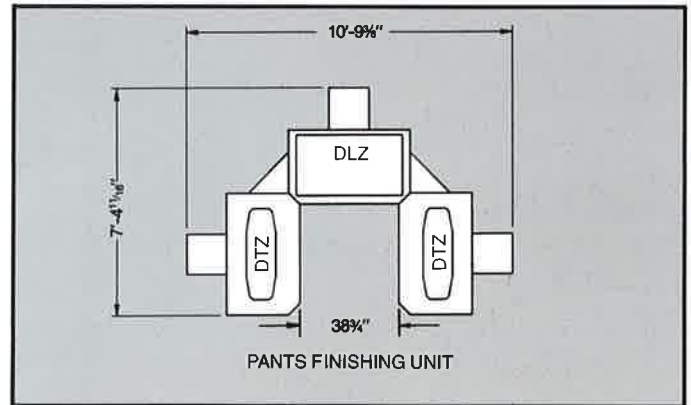
DTZ TECHNICAL DATA



BUCK DIMENSIONS



LAYOUT



SPECIFICATIONS

	DTZ
Overall Height	50 1/8"
Overall Length	46 1/8"
Overall Width	48"
Steam Inlet (1)	3/8" NPT
Steam Outlet (1)	3/8" NPT
Steam Supply	100-125 PSI
Boiler Horsepower Rating	3/4
Air Inlet	3/8" NPT
Air Consumption/Cycle	1 3/4 Cu. Ft.
Air Supply	85 PSI Min.
Electrical	115/1/60
Amperage	1/2 AMP
Net Weight	1,000 Lbs.

Model DTZ

Double Pants
Topper



Unipress reserves the right to alter or vary the specifications contained in this leaflet without notice. Drawings not to scale.

UNIPRESS

3501 Queen Palm Drive Tampa, Florida 33619

Telephone (813) 623-3731 FAX (813) 626-2565

www.unipresscorp.com