

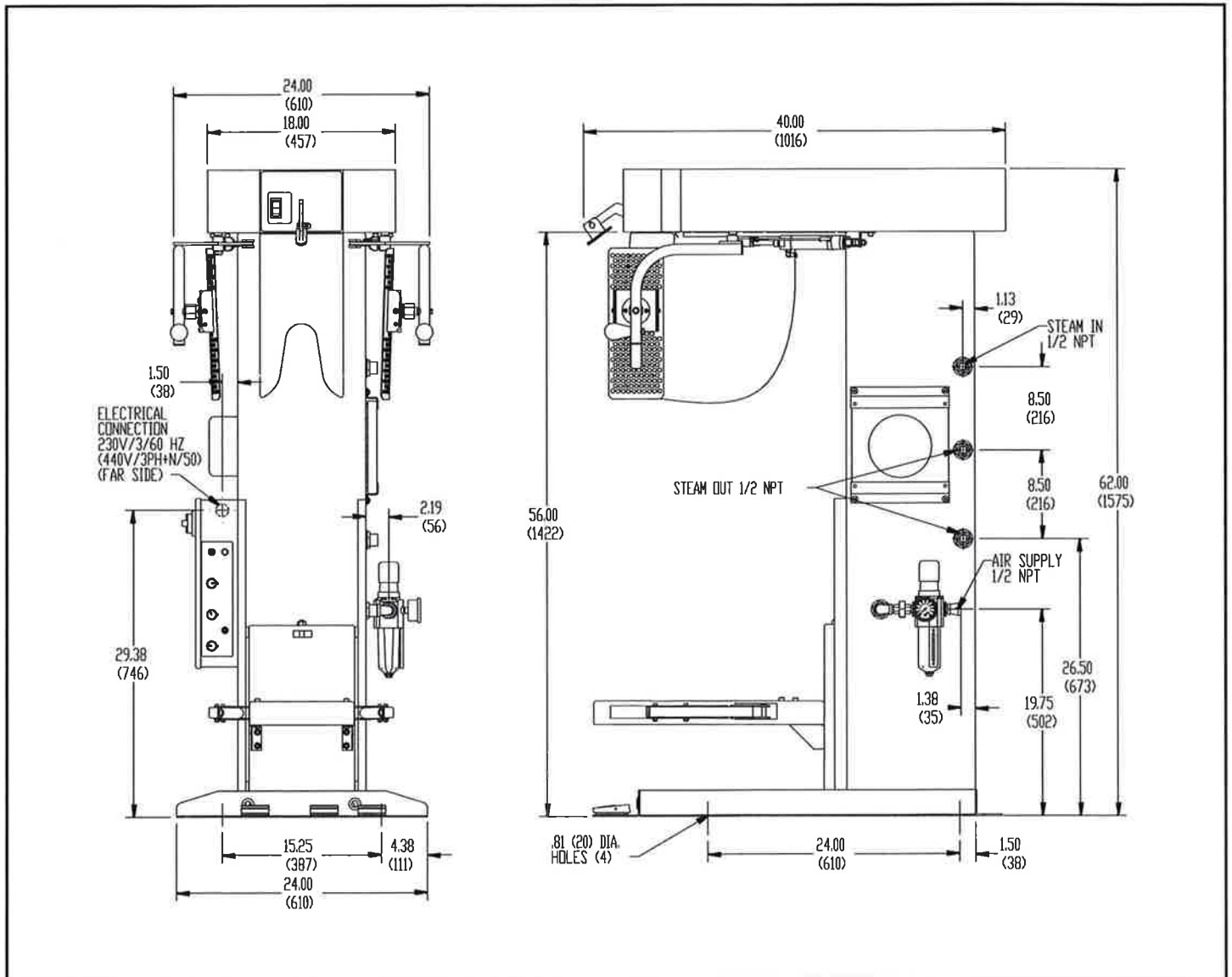
UNIPRESS

ATT AUTOMATIC TENSIONING TOPPER



- *Automatic Measuring*
- *Stainless Steel Pleat Pads*
- *High Capacity Blower*
- *Minimum Floor Space*
- *Easy To Operate*
- *Elastic Waist Extension*

ATT TECHNICAL DATA



SPECIFICATIONS

| TYPE | ATT |
|-------------------|-----------|
| Overall Height | 62" |
| Overall Length | 40" |
| Overall Width | 24" |
| Steam Inlet (1) | 1/2" NPT |
| Steam Outlet (2) | 1/2" NPT |
| Steam Supply | 85 PSI |
| Boiler Horsepower | 3/4 BHP |
| Air Supply | 85 PSI |
| Air Consumption | 0.1 CU FT |
| Electrical | 230/3/60 |
| Amperage | 2 Amps |
| Net Weight | 275 lbs. |



Unipress reserves the right to alter or vary the specifications contained in this leaflet without notice. Drawings not to scale.

UNIPRESS

3501 Queen Palm Drive Tampa, Florida 33619

Telephone (813) 623-3731 FAX (813) 626-2565

www.unipresscorp.com