

UNIPRESS

42X and 45X ALL PURPOSE UTILITY DRYCLEANING PRESSES

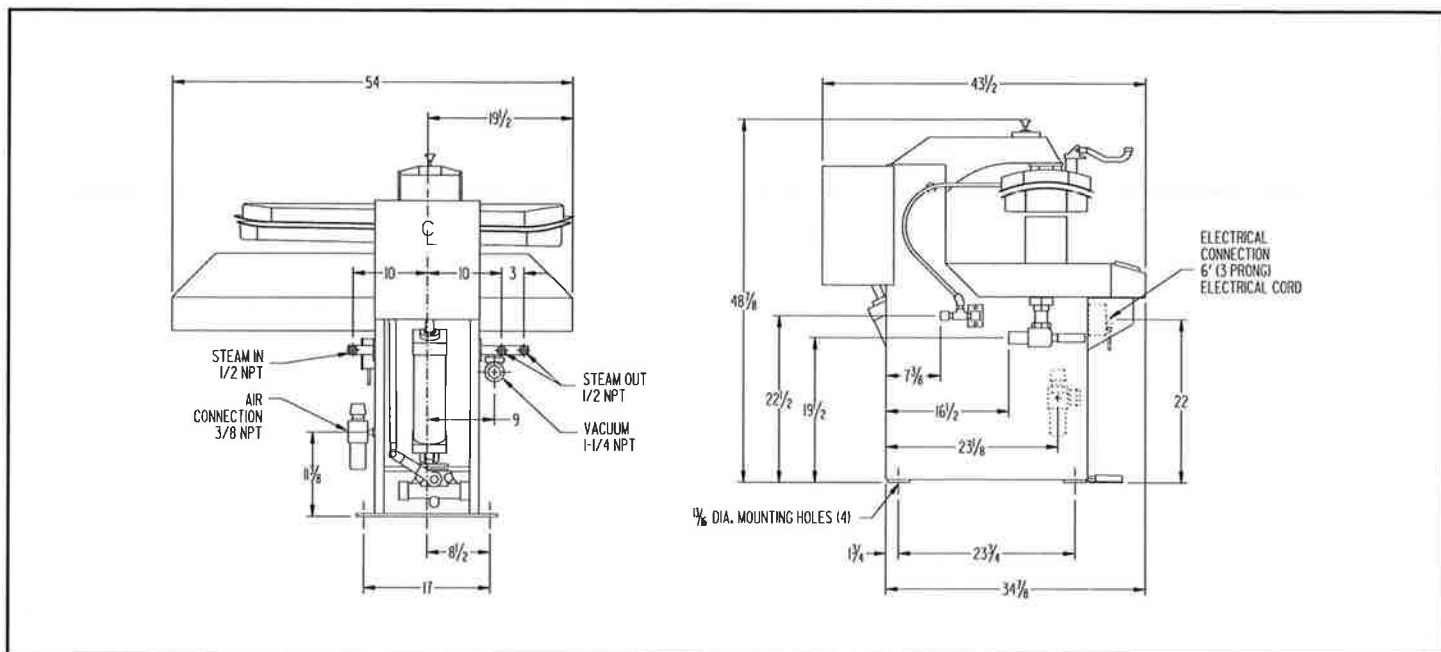


The Unipress 42X and 45X are designed with the operator and owner in mind. Operators love the open area around the buck allowing unrestricted movement of garments, which increases production and improves quality. Owners are impressed with the reliability and low capital cost.

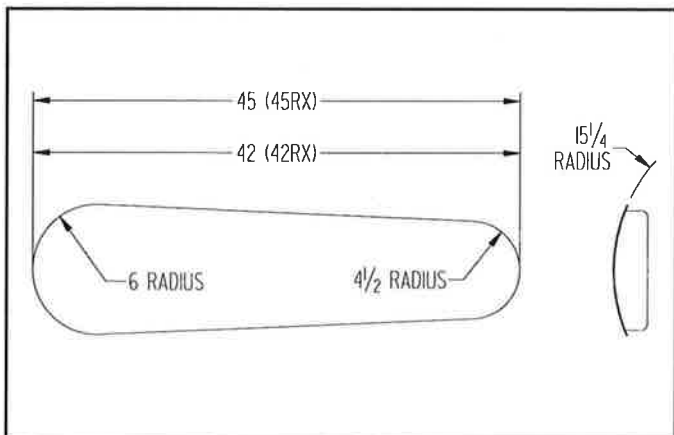
The Unipress X-Series utility presses are loaded with standard features.

- Wide Head Opening
- Finger Tip Pressure Regulator
- Fast Smooth Operation
- Single Cylinder Action
- Minimum of Floor Space
- Heavy Duty Steel Frame Construction
- Microprocessor Controls with Self Diagnostics

42X AND 45X TECHNICAL DATA



BUCK DIMENSIONS



SPECIFICATIONS

	42X	45X
Height of buck - padded	40 1/2"	40 1/2"
Length of buck - unpadded	42"	45"
Width of buck - unpadded	12"	12"
Width of machine	54"	54"
Depth of machine	43 1/2"	43 1/2"
Steam inlet (1)	1/2" NPT	1/2" NPT
Steam outlet (2)	1/2" NPT	1/2" NPT
Vacuum outlet	1 1/4" NPT	1 1/4" NPT
Air inlet	3/8" NPT	3/8" NPT
Air supply	85 PSI	85 PSI
Air consumption/cycle	1/2 Cu. Ft.	1/2 Cu. Ft.
Boiler horsepower rating	1 HP	1 HP
Net weight	750 lbs	800 lbs
Electrical	115/1/60	115/1/60
Amperage	1/2 AMP	1/2 AMP



UNIPRESS

3501 Queen Palm Drive Tampa, Florida 33619

Telephone (813) 623-3731 FAX (813) 626-2565

www.unipresscorp.com